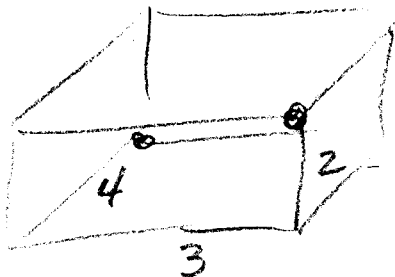


- ① Name an ordered triple on the z axis (NOT $(0,0,0)$)
- ② Find the distance and midpoint between $(4,0,0)$ and $(-2,3,-1)$.
- ③ What is the surface area of a rectangular prism with vertices at $(0,0,0)$ and $(4,3,2)$?

① $(0,0,8)$ ② $d = \sqrt{46}$, Mid $(1, \frac{3}{2}, -\frac{1}{2})$

③



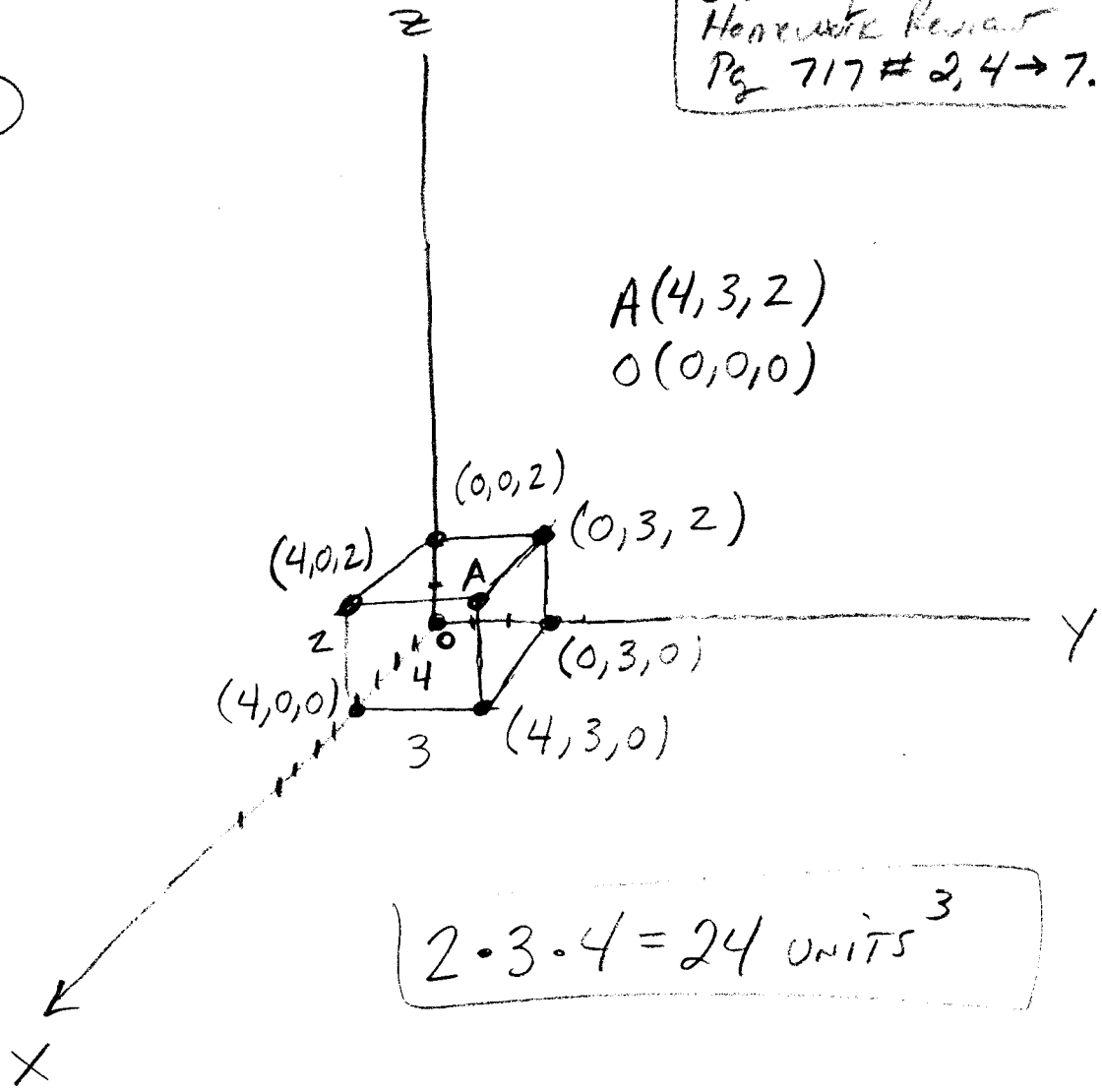
$$2(3 \cdot 4) = 24$$

$$2(3 \cdot 2) = 12$$

$$2(2 \cdot 4) = 16$$

$$\boxed{52 \text{ UNITS}^2}$$

②



↗ $(0,0,0), (1,5,7)$

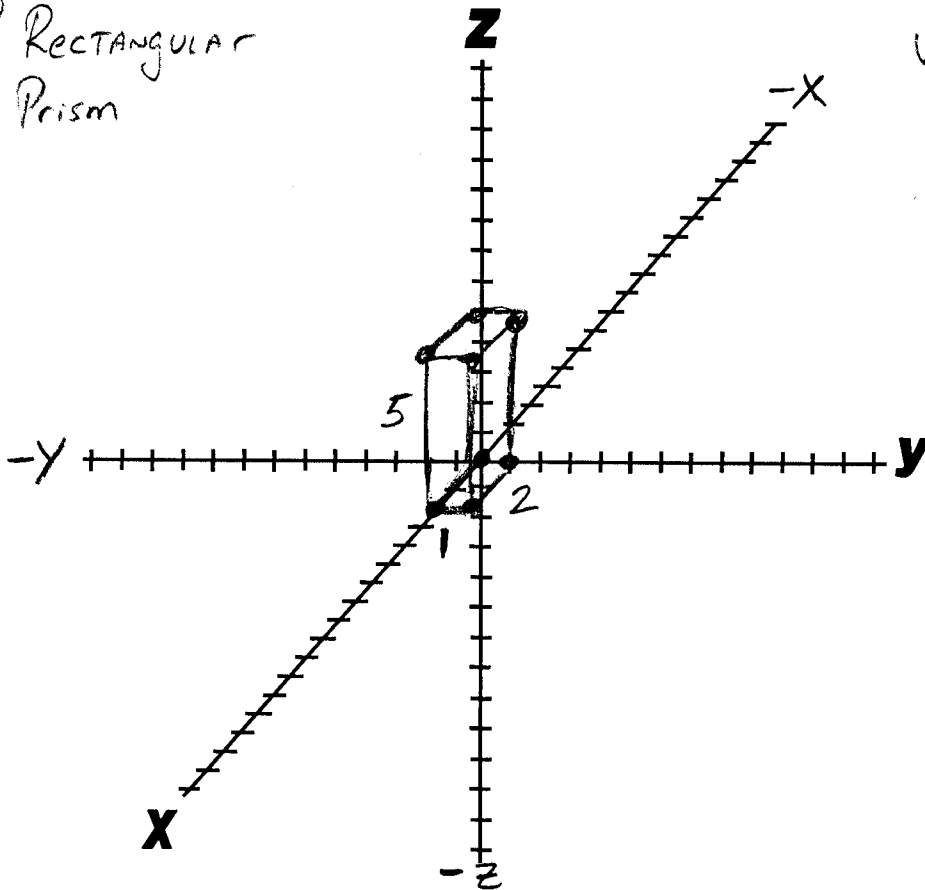
⑥ $d = 5\sqrt{3}$ Mid $(\frac{1}{2}, \frac{5}{2}, \frac{7}{2})$

⑦ $d = \sqrt{186}$ Mid $(1, -\frac{7}{2}, \frac{1}{2})$

↘ $(-3, -4, 6), (5, -3, -5)$

④ RECTANGULAR
Prism

Vertices $(0,0,0)$
 $(2,1,5)$



⑤

$V(-1,4,2)$
 $V(0,0,0)$

